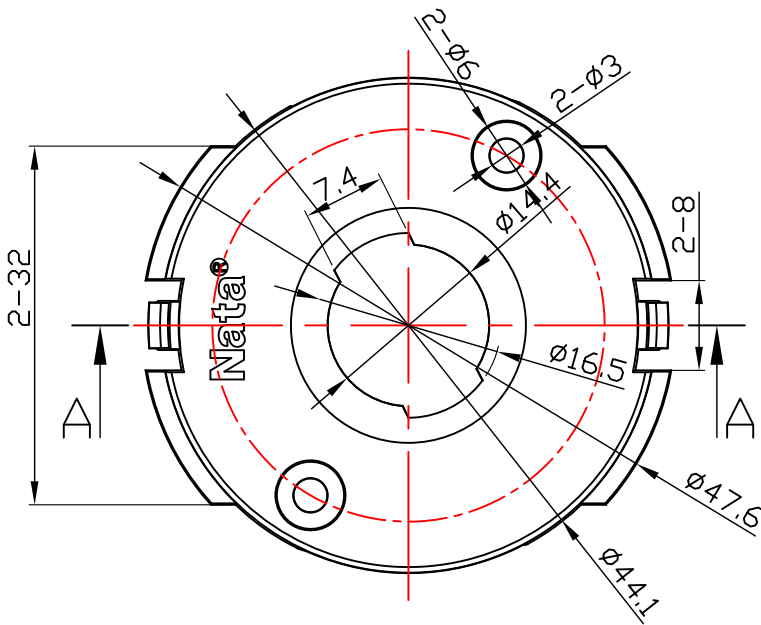
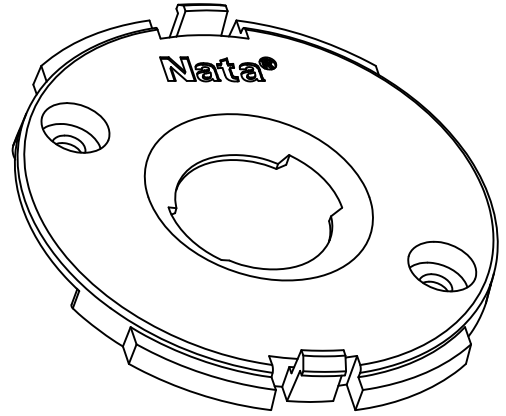
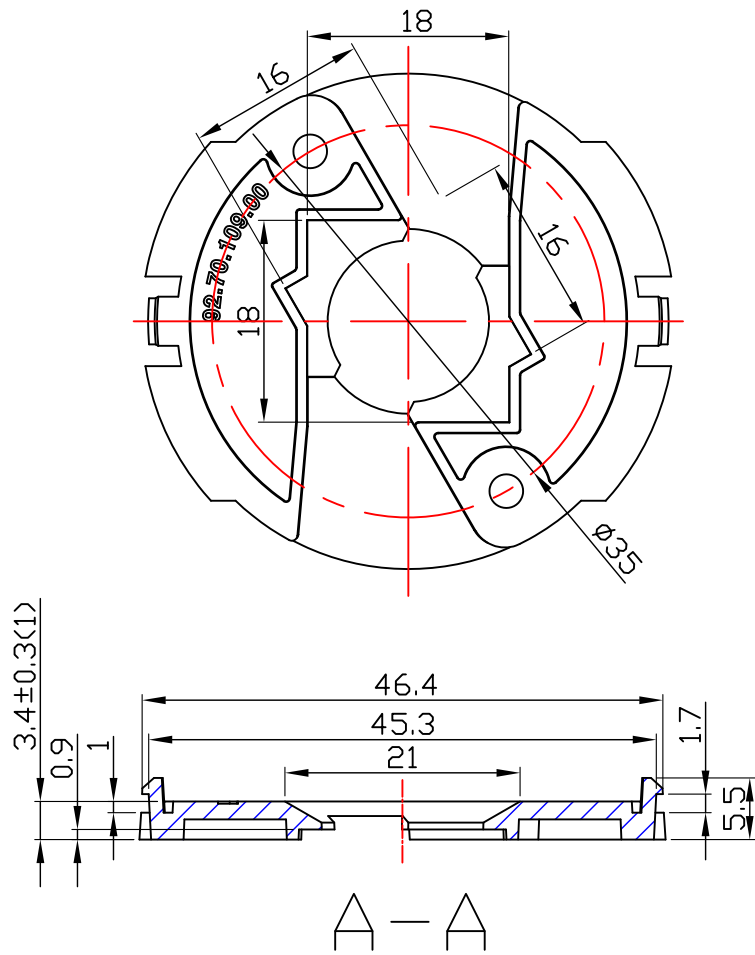


table for unmentioned tolerance in the drawing (unit: mm)					
0-5	5-30	30-120	120-250	250-400	400-700
±0.15	±0.2	±0.5	±0.8	±1.5	±2



						Material:PC		Nata[®] NATA Lighting Co.,Ltd	
								Customer Item	
								Customer Code	NT
								Product Number	92.70.109.00
								Product Name	CR01BM透镜支架 D45xH3.5
Mark	Amended Times	Amended Content		Signature	Amended Date				
Control Version	A0	Design Version	K1	Client Version					
Designer		Drawing by		Proportion	1:1				
Technology		Auditor		View					
Approval		Date	2018.11.02	Page	Total_ Page_				